

WA 14-65 SALAD

MULTIHEAD WEIGHER



MAIN FEATURES

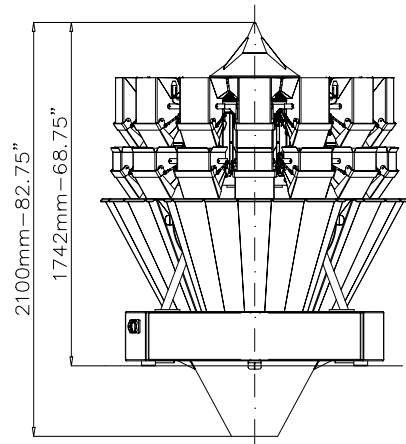
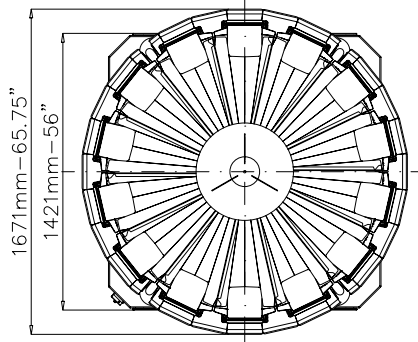
- 1 Salad weigher specifications
- 2 User-friendly HMI
- 3 Quick-release components
- 4 Wash-down execution

BENEFITS

- 1 Dedicated design components for fresh cut salad and vegetables
- 2 Easy interface with quick access to trouble-shooting tools for increased OEE
- 3 Easy sanitation and quick maintenance
- 4 Hygienic design components

IMA Ilapak Multi-Head weigher dedicated to leafy products (i.e. fresh cut salad, spinach, cabbage etc.) and fresh vegetables. Hygienic design weigher suitable for wash down environments with easy detachable product contact parts.

TECHNICAL DATA



Max. speed	70 wpm
Weigh heads	14
Bucket volume	6,5 l
Max. discharge volume (single dump)	16,3 l
Discharge weight range (single dump)	60 g - 2000 g
Max. piece length	165 mm
Product distribution	Vibratory or rotary distribution cone with loadcell to control product infeed
Product contact parts	Embossed Stainless Steel AISI 304
Drive	Springless, high speed stepper motors
Loadcells	C3 accuracy class, OIML approved R76 class
Electronic platform	Industrial PC
HMI	12" (18"*) colour touch screen with remote control capability (augmented reality feature*)
Program memory	over 1000 recipes
Power supply (opt. excluded)	230 Vac±5%, 1 ph, neutral, GND, 50/60 Hz, 1.2 kW, 6 A (3 A @ 480 V)
Compressed air (opt. excluded)	180 l/min @ 7 bar
Machine dimensions (W x D x H)	1671 x 1671 x 2100 mm (65.75 x 65.75 x 82.75")
Machine weight	850 kg

* optional