

WA 24-25

MULTIHEAD WEIGHER



MAIN FEATURES

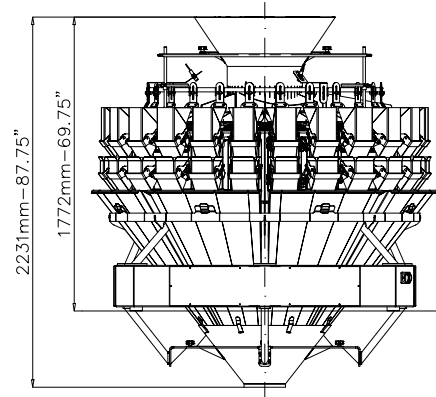
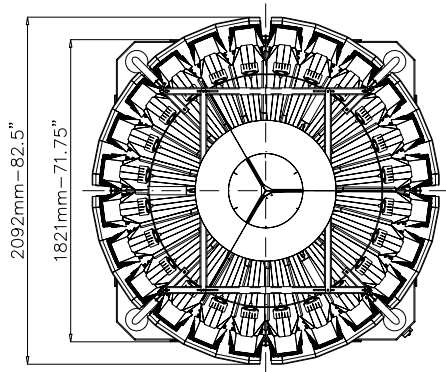
- 1 High Flexibility
- 2 Single or multiple discharge point execution
- 3 User-friendly HMI
- 4 Wash-down execution

Ultra flexible Multi-Head weigher conceived for high-speed, high-accuracy applications. Can handle a wide range of products: dry, fresh and frozen with easy detachable product contact parts available in plain execution, embossed or special coatings, weighing or counting mode, single or product mix, single or dual discharge point execution. Ideal for Bakery, Cheese, Confectionery, Snacks and many other markets.

BENEFITS

- 1 Can handle a wide range of products and applications at high speed and accuracy rate
- 2 Can feed a variety of machines (VFFS, HFFS, pre-made bags) with single or multiple products
- 3 Easy interface with quick access to trouble-shooting tools for increased OEE
- 4 Hygienic design components

TECHNICAL DATA



Max. speed	160 wpm
Weigh heads	24
Bucket volume	1,0 l
Max. discharge volume (single dump)	2,5 l
Discharge weight range (single dump)	25 g - 1000 g
Max. piece length	120 mm
Product distribution	Vibratory or rotary distribution cone with loadcell to control product infeed
Product contact parts	Stainless steel AISI 304 Embossed plate* and special coatings*
Drive	Springless, high speed stepper motors
Loadcells	C3 accuracy class, OIML approved R76 class
Electronic platform	Industrial PC
HMI	12" (18"*) colour touch screen with remote control capability (augmented reality feature*)
Program memory	over 1000 recipes
Power supply (opt. excluded)	230 Vac±5%, 1 ph, neutral, GND, 50/60 Hz, 2.2 kW, 10 A (5.5 A @ 480 V)
Compressed air (opt. excluded)	180 l/min @ 7 bar
Machine dimensions (W x D x H)	2092 x 2092 x 2231 mm (82.5 x 82.5 x 87.75")
Machine weight	1400 kg

* optional