



# IQ4 Pipeline - Metal Detection System

Designed for the Pumped products

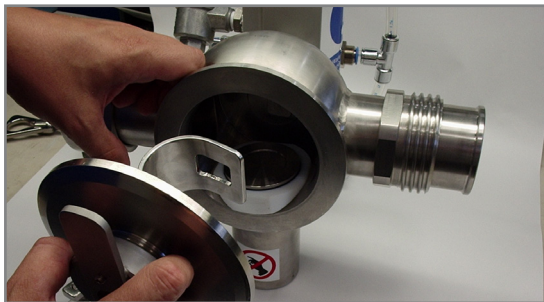
## Product Highlights

- Designed to be mounted on either a stand or L bracket, the IQ4 Pipeline is made to inspect pumped products such as soups, sauces, jams or dairy
- Robust components designed for sterile in place (SIP) cleaning at the end of each product run to comply with hygiene standards (EN1672-2)
- Color 7" touchscreen control interface including multi-level password access and data logged events for traceability
- IP69K environmental protection suitable for both high-care and low-care environments
- Fully integrated Performance Validation software



### 7" Touchscreen with a new easy to use interface

Standard across all of the IQ4 range, the big 7" touchscreen offers 33% more space than previous generation metal detectors and improves usability.



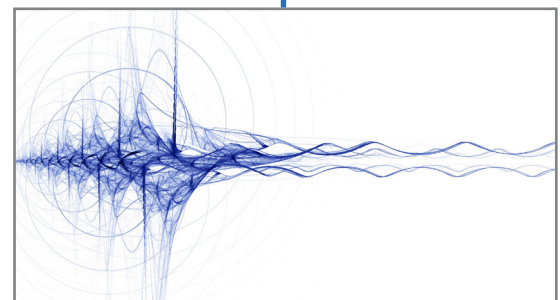
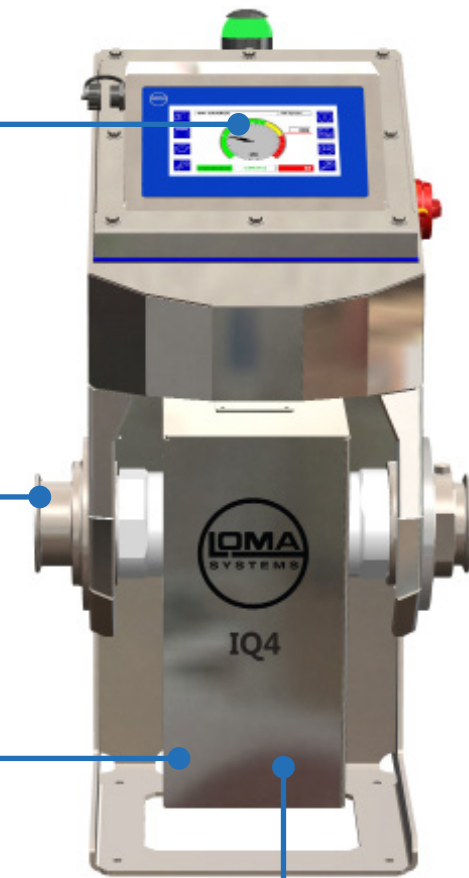
### Expertise in Different Product Applications

With over 20 years of research and development in Pipeline applications, our experts know the right reject options for a variety of different products.



### Suitable for High Temperature Products

The IQ4 Pipeline is designed to be compatible with both high and low temperature products offering fantastic detection levels.

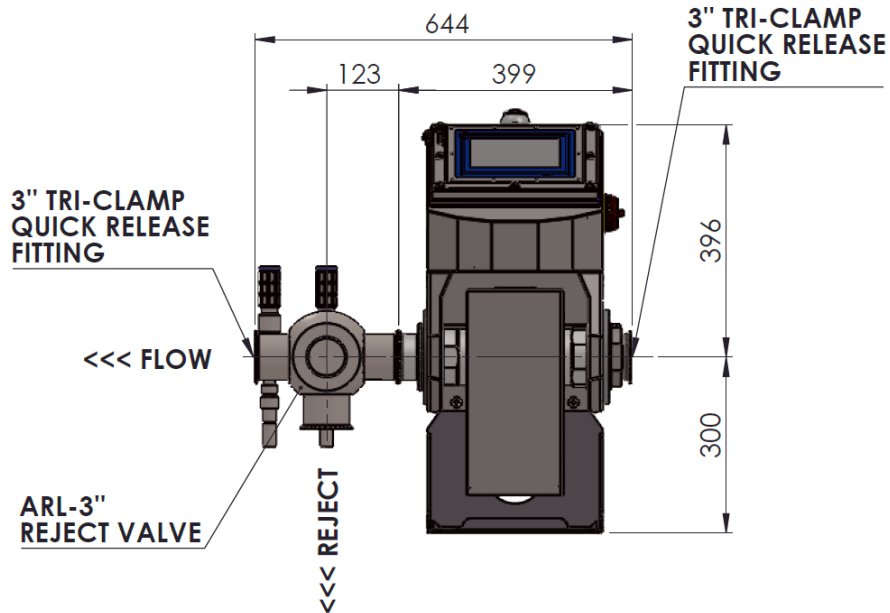


### Variable Frequency Provides the Best Detection Levels

The IQ4 Pipeline features LOMA's revolutionary Variable Frequency technology that allows detection levels to be optimized around a wide range of differing product conditions, including whether they are wet or dry.

# Technical Specification

Pipe Diameter (")	2.0,3.0,4.0
Pipe Connections	Tri Clamp
Finish	304 stainless steel
Mounting Options	L Bracket, Stand
Supply Voltages	85 to 265 V, single phase 50/60 Hz, neutral & Earth
Power Consumption	20 VA
Air Supply	5 to 8 Bar (10mm Outside Dia) 72-116 PSI
Temperature Range	-10 to +40 °C (14 to 104 °F)
Humidity	0 to 95% Relative Humidity (Non-condensing)
IP Rating	IP69K
PVS Enabled	Yes
Reporting	Batch, Shift
Data Retrieval	Via USB, Ethernet, TRACS
Optional Extras	Remote Control Box



## Automatic Reject Options

The IQ4 Pipeline can be specified with an automatic reject station with the following options:

	Reject Type	Availabe Sizes (")
Non - Meat	ARL-60 (Rotary)	2.0, 3.0, 4.0

