

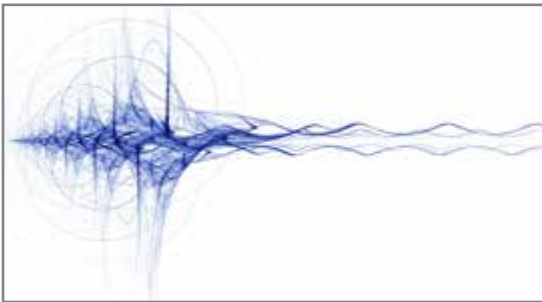


# IQ4 Vertical Fall - Throat Metal Detector

Designed for the Food Industry

## Product Highlights

- Gravity feed system for inspecting powders, granules or bulk food products
- Supplied complete with frame, throughput tube and choice of sealed valve or cowbell reject devices
- Tivar anti-static food grade throughput tube as standard
- Air failure and dump valve features included
- Four password protected security levels are provided for Operators, Supervisors, Engineering and Administration



### Variable Frequency Provides the Best Detection Levels

The IQ4 Vertical Fall is built using LOMA's Variable Frequency technology that allows detection levels to be optimised around a wide range of differing product conditions



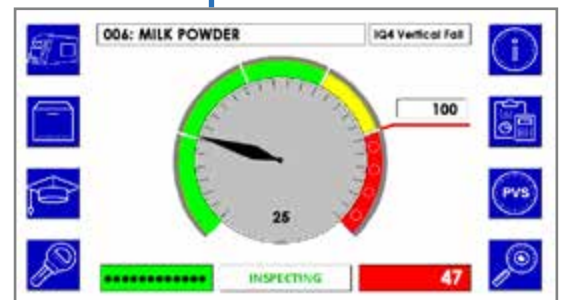
### Auto Learn Provides Simple and Fast Set-up

The IQ4 Vertical Fall will automatically set-up and store up to 200 different presets, calibrating for product effect and loose material as the product passes through the system.



### Best in Class Detection Levels for Magnetic and Non-magnetic Metals

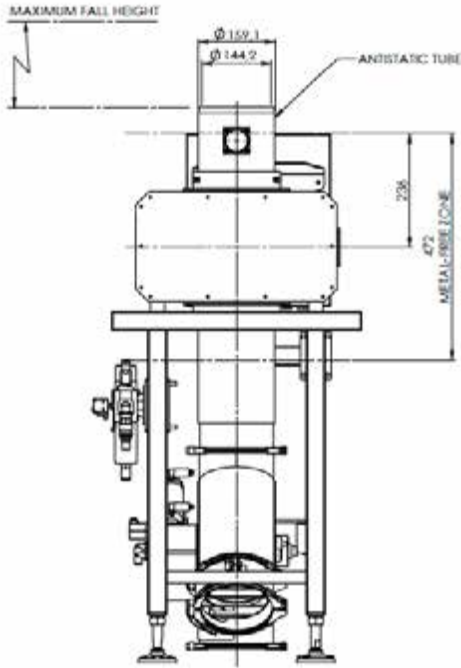
The IQ4 Vertical Fall offers excellent detection levels



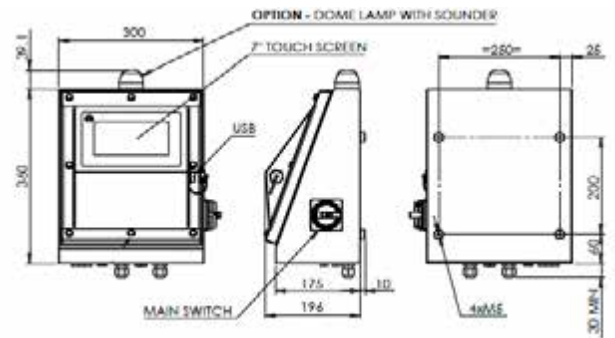
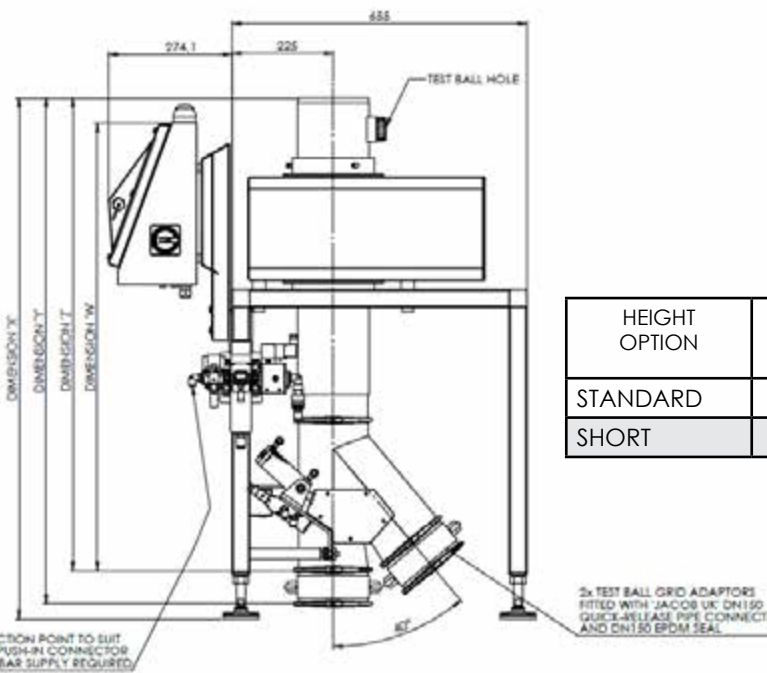
### 7" Colour Touchscreen

Standard across all of the IQ4 range, the big 7" touchscreen offers 33% more space than previous generation metal detectors making operations simple.

# Technical Specification



Nominal Diameters Available (mm)	100 (4"), 150 (6"), 200 (8"), 250 (10")
Material of Construction	304 Brushed stainless steel
Variable Frequency	31 to 882 kHz
Supply Voltages	110 - 250V AC 50/60Hz
Power Consumption	20VA
Temperature Range	-5 to 40°C (23 to 104°F)
Humidity	0 to 95% Relative Humidity (Non-condensing)
Environment	IP66
PVS Enabled	Yes
Ethernet Capability	Yes
USB Capability	Yes



HEIGHT OPTION	DIMENSION 'X'	DIMENSION 'Y'	DIMENSION 'Z'	MAXIMUM FALL HEIGHT	DIMENSION 'W' MIN-MAX
STANDARD	1157	1122.5	1049	800	945 - 995
SHORT	1001	966.5	893	200	785 - 835

Typical dimensions shown (using a 150 mm diameter system). All dimensions in mm

## Automatic Reject Options

The IQ4 Vertical Fall can be supplied with either of the below reject options:

- Sealed Valve
- Cowbell

