

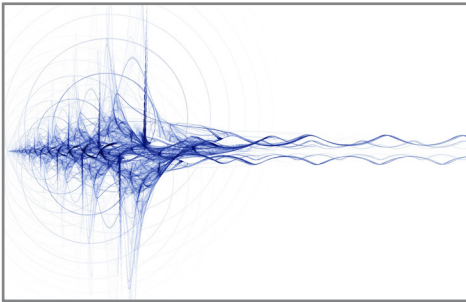


# IQ4 Waferthin - Throat Metal Detector

Designed for the Food Industry

## Product Highlights

- Compact system designed to be installed between gravity feed hoppers, multihead weighers and bagging machines with minimal metal free zone required
- Designed for inspecting dried foods, snacks & confectionary
- Side and face mount as standard, pivot mounting optional
- Optional 3 part product tube available for easy removal and cleaning
- Can be integrated with control systems on bagging machines or multi-head weighers for maximum efficiency and total quality assurance
- Integrated Digital Search Head and DDS Vector display to deliver perfect product setups
- Four password protected security levels are provided for Operator, Supervisor, Quality and Engineering



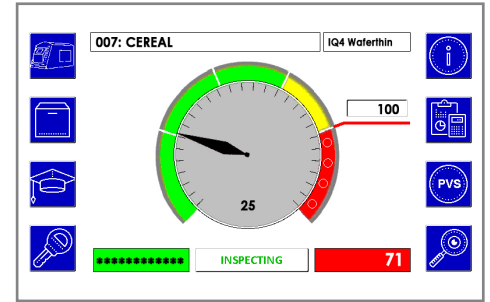
### Variable Frequency Provides the Best Detection Levels

The IQ4 is built using LOMA's revolutionary Variable Frequency technology that allows detection levels to be optimised around a wide range of differing product and packaging conditions.



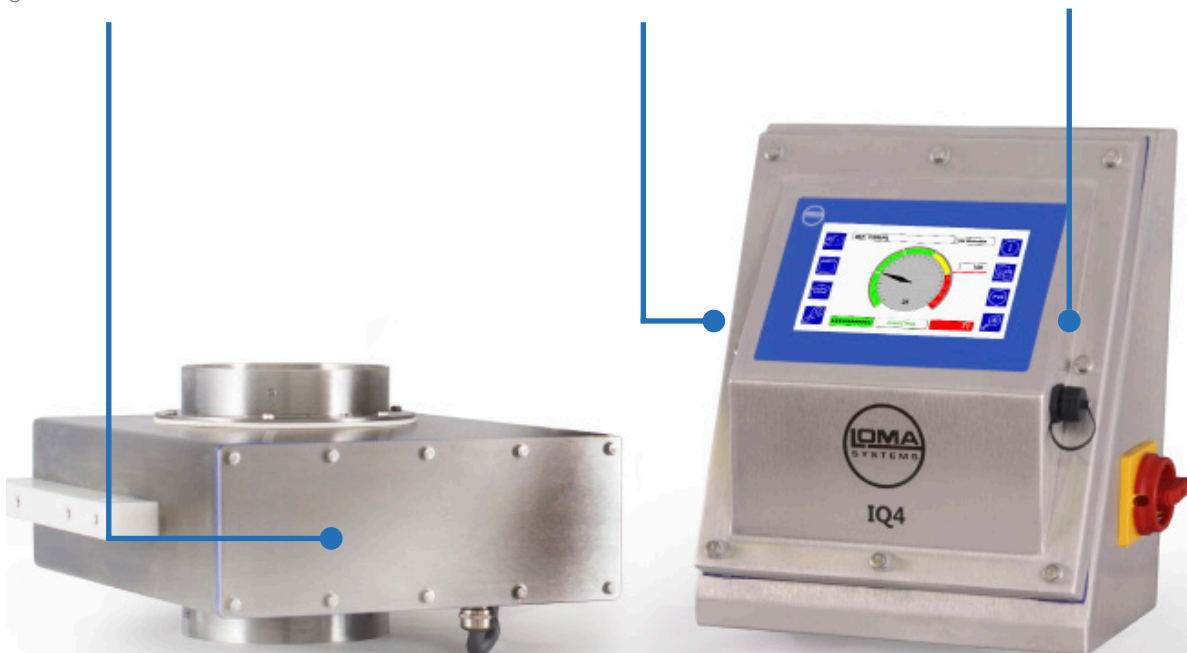
### Auto Learn Provides Simple and Fast Set-up

The IQ4 Waferthin will automatically set-up and store 200 different pre-sets, calibrating for product effect and loose material as the product passes through the system.



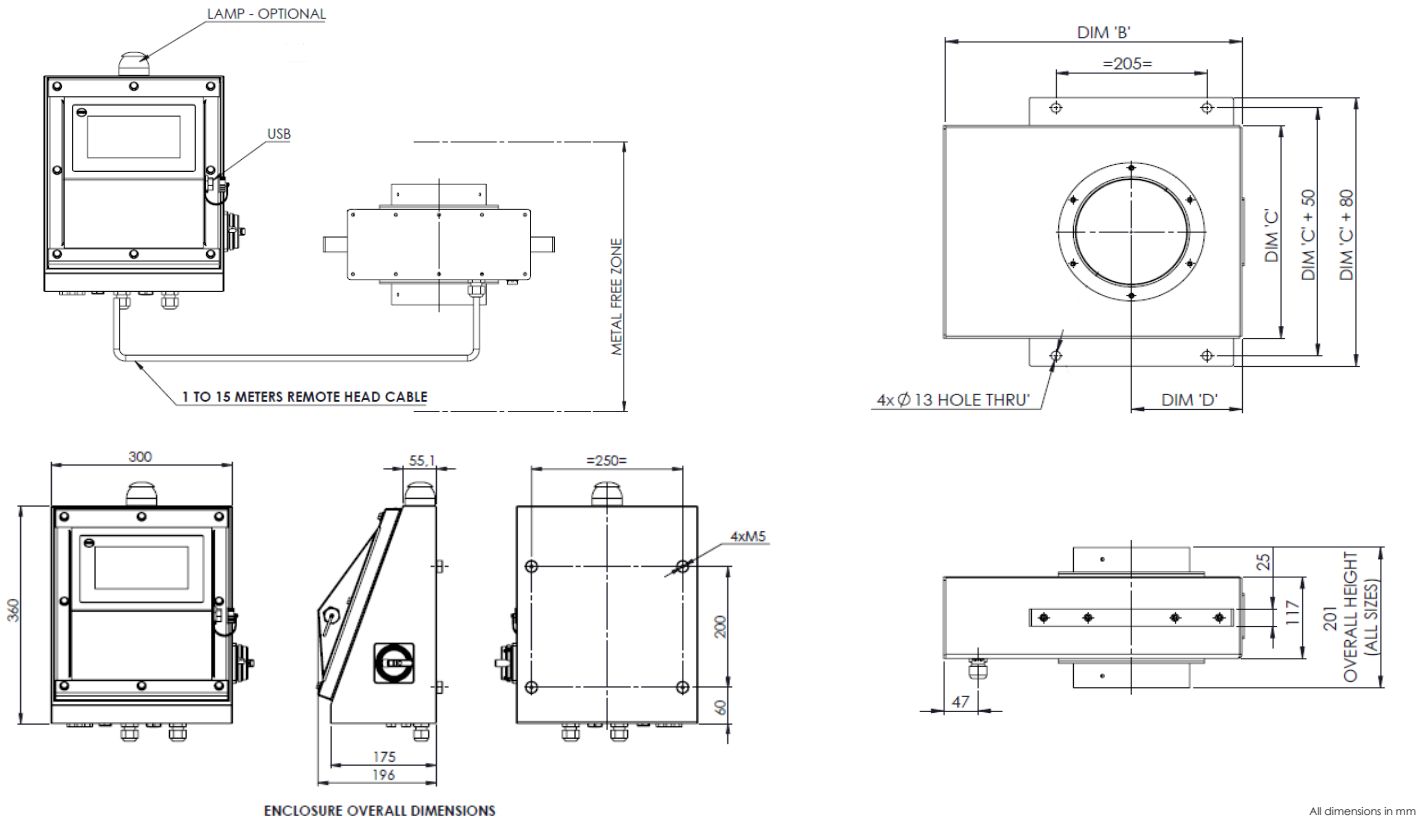
### 7" Colour Touchscreen

Standard across all of the IQ4 range, the big 7" touchscreen that makes key operations simple.



# Technical Specification

Material of Construction	304 Brushed stainless steel
True Variable Frequency	31 to 882KHz
Supply Voltages	110 - 250V AC 50/60Hz
Power Consumption	20VA
Temperature Range	-10 to 40°C (14 to 104°F)
Humidity	0 to 95% Relative Humidity (Non-condensing)
Environment	IP66
PVS Enabled	Yes
Ethernet Capability	Yes
USB Capability	Yes



## Available Aperture Sizes

HEAD APERTURE DIA (mm)	102	127	152	178	203	219	227	238	254	269	333
DEPTH B (mm)	402					460	490				552
WIDTH C (mm)	305					370	420				472
DIMENSION D (mm)	150					180	210				226
METAL-FREE ZONE (with screen rings) (mm)	260	295	330	366	401	424	435	450	473	494	583

